
**GROVE
INDUSTRIES**

**BRASS
FITTINGS**

CATALOG

**CALL
TOLL FREE
(800)
726-5187**

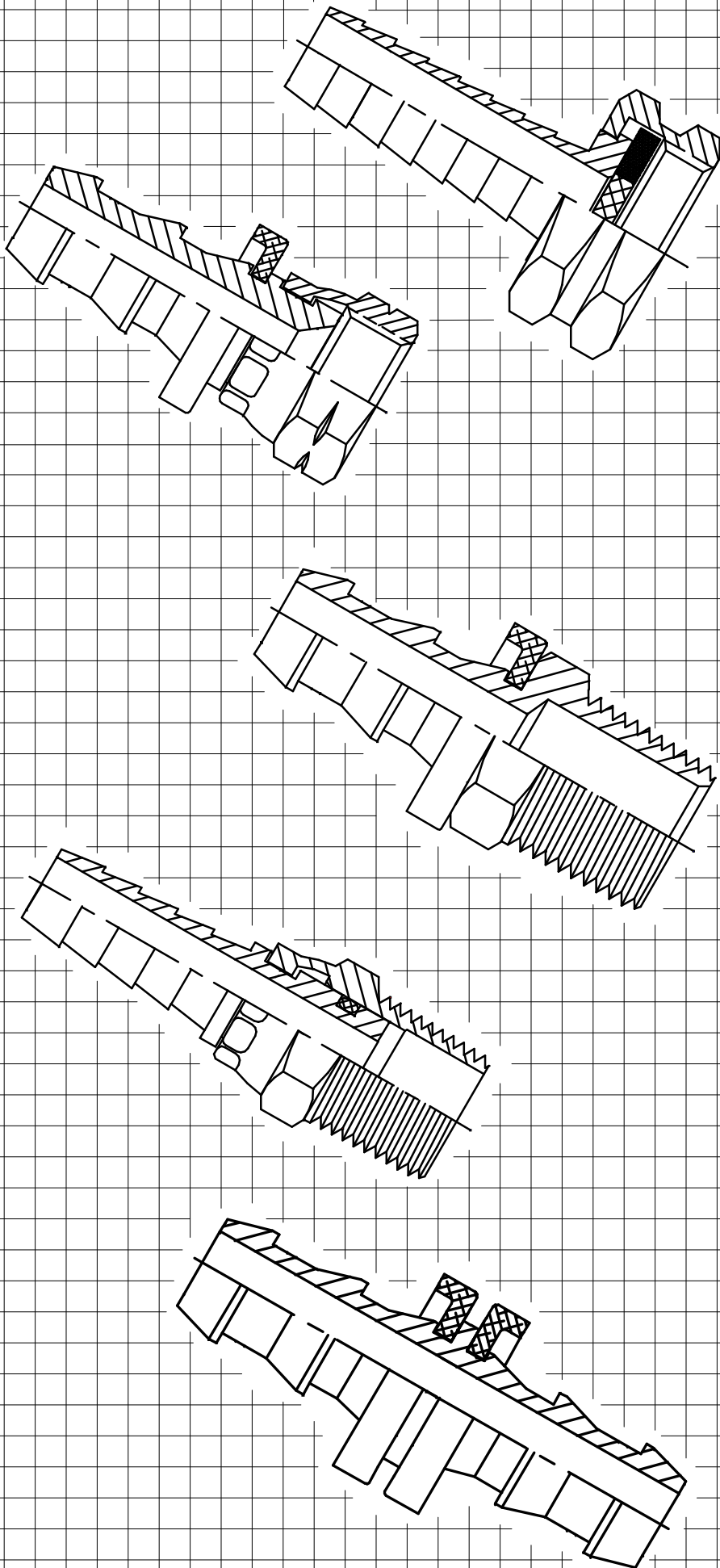
**OR FAX
(630)
350-1955**

**VISIT US AT
www.grovefittings.com**



**GROVE INDUSTRIES
(630)-350-1616**

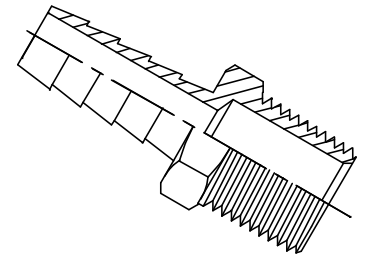
CATALOG 0809



HOSE BARB TO MALE PIPE

PART NUMBER	HOSE I.D.	THREAD NPTF	BARB LGTH	OAL	HEX SIZE	STD PKG	WT/100
MPB-03-02	3/16	1/8-27	.76	1.32	1/2	1,000	2.4
MPB-04-02	1/4	1/8-27	.97	1.53	1/2	1,000	4.0
MPB-04-04	1/4	1/4-18	.97	1.76	9/16	1,000	4.4
MPB-04-06	1/4	3/8-18	.97	1.76	11/16	800	6.2
MPB-04-08	1/4	1/2-14	.97	1.97	7/8	250	10.4
MPB-05-02	5/16	1/8-27	.97	1.53	1/2	1,000	3.3
MPB-05-04	5/16	1/4-18	.97	1.76	9/16	1,000	4.4
MPB-05-06	5/16	3/8-18	.97	1.76	11/16	700	6.4
MPB-06-02	3/8	1/8-27	.97	1.53	1/2	1,000	4.2
MPB-06-04	3/8	1/4-18	.97	1.76	9/16	1,000	4.9
MPB-06-06	3/8	3/8-18	.97	1.76	11/16	700	6.6
MPB-06-08	3/8	1/2-14	.97	1.97	7/8	400	11.7
MPB-06-12	3/8	3/4-14	.97	1.97	1 1/16	250	15.0
MPB-07-04	7/16	1/4-18	.97	1.97	9/16	900	4.9
MPB-08-04	1/2	1/4-18	.97	1.76	9/16	800	6.4
MPB-08-06	1/2	3/8-18	.97	1.76	11/16	600	6.8
MPB-08-08	1/2	1/2-14	.97	1.97	7/8	400	11.9
MPB-08-12	1/2	3/4-14	.97	1.97	1 1/16	250	15.7
MPB-10-06	5/8	3/8-18	.97	1.76	11/16	600	8.4
MPB-10-08	5/8	1/2-14	.97	1.97	7/8	350	12.8
MPB-10-12	5/8	3/4-14	.97	1.97	1 1/16	250	17.0
MPB-12-08	3/4	1/2-14	.97	1.97	7/8	300	14.8
MPB-12-12	3/4	3/4-14	.97	1.97	1 1/16	250	16.1
*MPB-12-16	3/4	1-11 1/2	1.19	2.55	1 3/8	100	33.7
*MPB-16-12	1	3/4-14	1.19	2.19	1 1/16	200	25.1
*MPB-16-16	1	1-11 1/2	1.19	2.55	1 3/8	100	36.4
*MPB-20-16	1 1/4	1-11 1/2	1.19	2.55	1 3/8	50	46.7

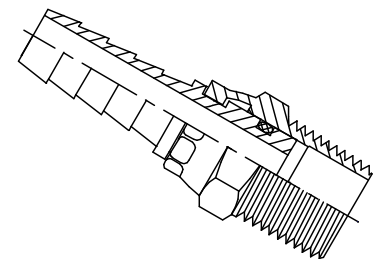
THIS FITTING HAS 3 BARBS



*THESE FITTINGS HAVE 5 BARBS

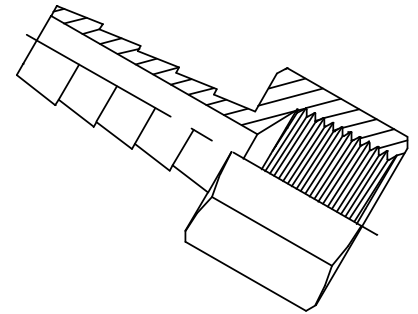
HOSE BARB TO MALE PIPE SWIVEL

PART NUMBER	HOSE I.D.	THREAD NPTF	BARB LGTH	OAL	HEX SIZE	STD PKG	WT/100
SMS-03-02	3/16	1/8-27	.78	1.95	9/16	500	5.8
SMS-04-02	1/4	1/8-27	.97	2.17	9/16	500	6.1
SMS-03-04	3/16	1/4-18	.78	1.90	9/16	500	5.7
SMS-04-04	1/4	1/4-18	.97	2.12	9/16	500	6.0
SMS-06-02	3/8	1/8-27	.97	2.12	9/16	400	6.9
SMS-06-04	3/8	1/4-18	.97	2.12	9/16	400	6.6
SMS-06-06	3/8	3/8-18	.97	2.12	11/16	300	8.4
SMS-08-06	1/2	3/8-18	.97	2.12	11/16	250	9.7
SMS-08-08	1/2	1/2-14	.97	2.33	7/8	200	14.1
SMS-12-12	3/4	3/4-14	.97	2.33	1 1/16	150	20.7



HOSE BARB TO FEMALE PIPE

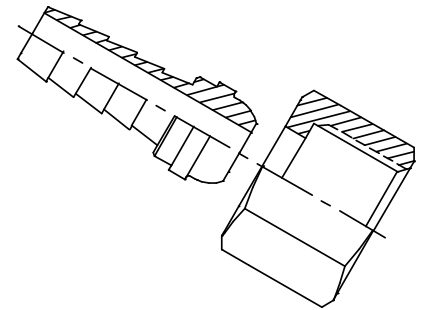
PART NUMBER	HOSE I.D.	THREAD NPTF	BARB LGTH	OAL	HEX SIZE	STD PKG	WT/ 100
FPB-04-02	1/4	1/8-27	.97	1.45	1/2	1,000	2.6
FPB-04-04	1/4	1/4-18	.97	1.61	5/8	1,000	4.6
FPB-05-04	5/16	1/4-18	.97	1.61	5/8	1,000	4.9
FPB-06-02	3/8	1/8-27	.97	1.45	1/2	1,000	4.0
FPB-06-04	3/8	1/4-18	.97	1.61	5/8	800	5.3
FPB-06-06	3/8	3/8-18	.97	1.63	3/4	700	6.4
FPB-06-08	3/8	1/2-14	.97	1.77	15/16	350	10.4
FPB-08-04	1/2	1/4-18	.97	1.61	5/8	700	5.5
FPB-08-06	1/2	3/8-18	.97	1.63	3/4	600	6.8
FPB-08-08	1/2	1/2-14	.97	1.77	15/16	350	11.2
FPB-12-12	3/4	3/4-14	1.19	1.99	1 3/16	200	19.4



--- THIS FITTING HAS 5 BARBS

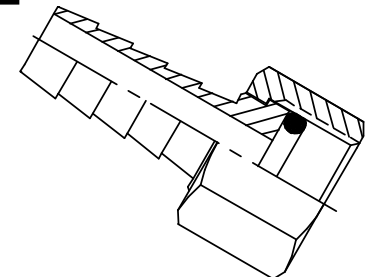
HOSE BARB TO FEMALE SWIVEL, BALL SEAT

PART NUMBER	HOSE I.D.	THREAD NPSM	BARB LGTH	NUT LGTH	HEX SIZE	STD PKG	WT/ 100
FBS-04-04	1/4	1/4-18	.97	.53	5/8	1,000	4.9
FBS-05-04	5/16	1/4-18	.97	.53	5/8	1,000	4.9
FBS-06-04	3/8	1/4-18	.97	.53	5/8	1,000	5.3
FBS-06-06	3/8	3/8-18	.97	.59	3/4	600	6.8
FBS-08-06	1/2	3/8-18	.97	.59	3/4	600	6.4
FBS-08-08	1/2	1/2-14	.97	.69	15/16	300	11.5
FBS-12-12	3/4	3/4-14	.97	.69	1 1/8	150	15.2



HOSE BARB TO FEM SWIVEL "O" RING SEAL

PART NUMBER	HOSE I.D.	THREAD NPSM	BARB LGTH	NUT LGTH	HEX SIZE	STD PKG	WT/ 100
FOS-04-04	1/4	1/4-18	.97	.53	5/8	500	4.6
FOS-04-06	1/4	3/8-18	.97	.59	3/4	300	5.9
FOS-06-04	3/8	1/4-18	.97	.53	5/8	500	5.3
FOS-06-06	3/8	3/8-18	.97	.59	3/4	300	6.2
FOS-08-08	1/2	1/2-14	.97	.69	15/16	250	10.2
FOS-12-12	3/4	3/4-14	.97	.69	1 1/8	150	13.0



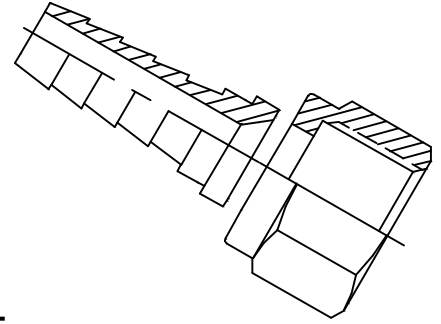
Designed to replace the red gasket seal fitting
90 durometer "o" ring used

HOSE BARB TO FEMALE SWIVEL J.I.C.

PART NUMBER	HOSE I.D.	TUBE SIZE	THREAD SIZE	BARB LGTH	HEX SIZE	STD PKG	WT/100
-------------	-----------	-----------	-------------	-----------	----------	---------	--------

FJS-04-06	1/4	6	9/16-18	.97	11/16	600	5.3
FJS-05-06	5/16	6	9/16-18	.97	11/16	600	5.5
FJS-06-06	3/8	6	9/16-18	.97	11/16	600	5.8

37° SEAT

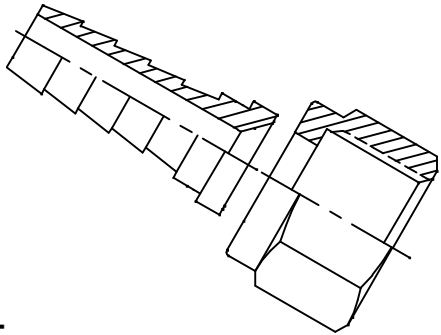


HOSE BARB TO FEMALE SWIVEL S.A.E.

PART NUMBER	HOSE I.D.	TUBE SIZE	THREAD SIZE	BARB LGTH	HEX SIZE	STD PKG	WT/100
-------------	-----------	-----------	-------------	-----------	----------	---------	--------

FSS-03-06	3/16	6	5/8-18	.78	3/4	500	6.1
FSS-04-06	1/4	6	5/8-18	.97	3/4	500	6.4
FSS-05-06	5/16	6	5/8-18	.97	3/4	500	6.6
FSS-06-06	3/8	6	5/8-18	.97	3/4	500	6.9

45° SEAT

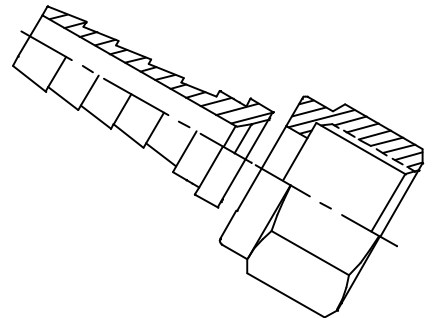


HOSE BARB TO FEMALE SWIVEL DUAL ANGLE

PART NUMBER	HOSE I.D.	TUBE SIZE	THREAD SIZE	BARB LGTH	HEX SIZE	STD PKG	WT/100
-------------	-----------	-----------	-------------	-----------	----------	---------	--------

FDS-03-04	3/16	4	7/16-20	.78	9/16	1,000	3.5
FDS-04-04	1/4	4	7/16-20	.97	9/16	1,000	4.0
FDS-04-05	1/4	5	1/2-20	.97	5/8	800	4.5
FDS-05-05	5/16	5	1/2-20	.97	5/8	800	4.7
FDS-06-08	3/8	8	3/4-16	.97	7/8	500	8.6
FDS-08-08	1/2	8	3/4-16	.97	7/8	400	9.5
FDS-08-10	1/2	10	7/8-14	.97	1	300	12.6

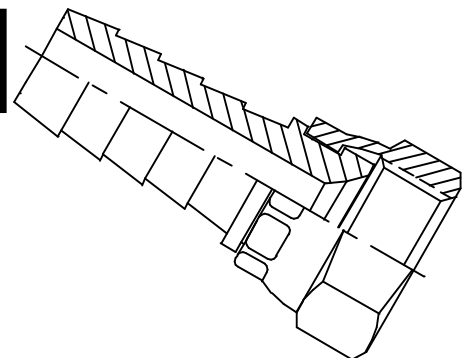
37° / 45° DUAL ANGLE SEAT



HOSE BARB TO FEMALE SWIVEL, ONE PIECE

PART NUMBER	HOSE I.D.	TUBE SIZE	THREAD SIZE	BARB LGTH	HEX SIZE	STD PKG	WT/100
-------------	-----------	-----------	-------------	-----------	----------	---------	--------

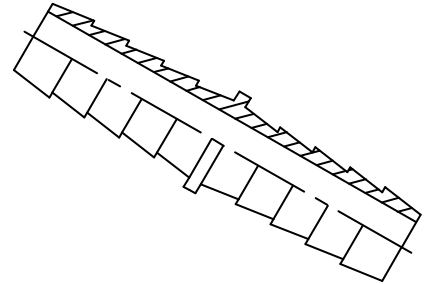
KDS-03-04	3/16	4	7/16-20	.78	9/16	1,000	3.8
KDS-04-04	1/4	4	7/16-20	.97	9/16	1,000	4.0
KJS-06-06	3/8	6	9/16-18	.97	11/16	600	5.5
KDS-08-08	1/2	8	3/4-16	.97	7/8	400	8.8
KJS-12-12	3/4	12	1 1/16-12	1.19	1 1/4	200	19.5
KSS-12-12	3/4	12	1 1/16-14	1.19	1 1/4	200	19.5
KJS-16-16	1"	16	1 5/16-12	1.19	1 1/2	100	32.6



HOSE BARB MENDER

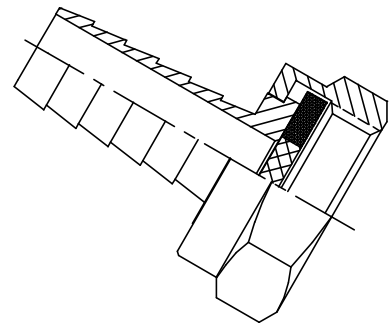
PART NUMBER	HOSE I.D.	BARB LGTH	BARB OAL	STD PKG	WT/100
MSB-03-03	3/16	.76	1.58	1,000	1.1
MSB-04-04	1/4	.97	2.00	1,000	2.4
MSB-05-05	5/16	.97	2.00	700	2.9
MSB-06-06	3/8	.97	2.00	600	3.5
MSB-08-08	1/2	.97	2.00	500	5.1
MSB-10-10	5/8	.97	2.00	400	7.5
MSB-12-12	3/4	.97	2.00	350	9.9
*MSB-16-16	1	1.19	2.50	100	19.2

*THIS FITTING HAS 5 BARBS



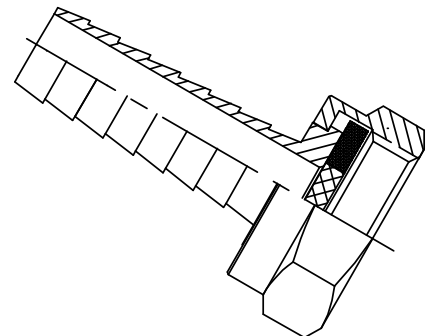
HOSE BARB TO FEMALE SWIVEL

PART NUMBER	HOSE I.D.	THREAD NPSM	BARB LGTH	BARB OAL	HEX SIZE	STD PKG	WT/100
NPF-06	3/8	3/4-14	1.19	1.82	1 3/16	200	12.5
NPF-08	1/2	3/4-14	1.19	1.82	1 3/16	200	12.7
NPF-10	5/8	3/4-14	1.19	1.82	1 3/16	200	13.1
NPF-12	3/4	3/4-14	1.19	1.82	1 3/16	200	14.0



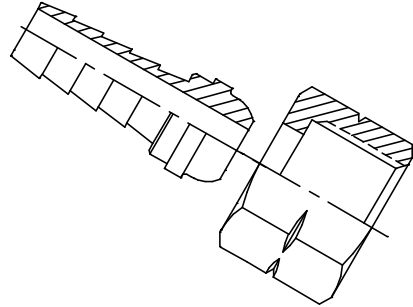
HOSE BARB TO FEMALE SWIVEL (LONG)

PART NUMBER	HOSE I.D.	THREAD NPSM	BARB LGTH	BARB OAL	HEX SIZE	STD PKG	WT/100
NPFL-08	1/2	3/4-14	2.03	2.66	1 3/16	75	14.5
NPFL-10	5/8	3/4-14	2.03	2.66	1 3/16	75	15.8
NPFL-12	3/4	3/4-14	2.03	2.66	1 3/16	75	18.2



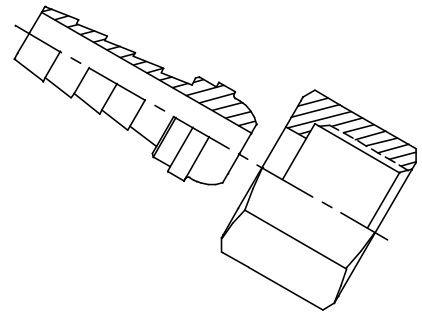
***WELD HOSE CONNECTOR
 LEFT HAND THREAD FOR ACETYLENE***

PART NUMBER	HOSE I.D.	THREAD L H	BARB LGTH	HEX SIZE	STD PKG	WT/100
WLS-03-09	3/16	9/16-18	.97	11/16	500	6.3
WLS-04-09	1/4	9/16-18	.97	11/16	500	6.4
WLS-05-09	5/16	9/16-18	.97	11/16	500	6.6
WLS-06-09	3/8	9/16-18	.97	11/16	500	6.8



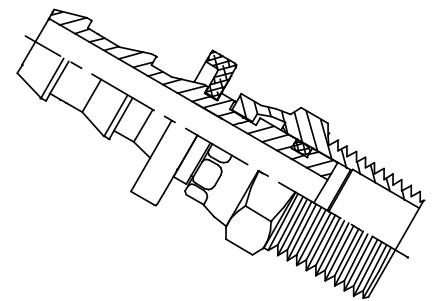
***WELD HOSE CONNECTOR
 RIGHT HAND THREAD FOR OXYGEN LINE***

PART NUMBER	HOSE I.D.	THREAD R H	BARB LGTH	HEX SIZE	STD PKG	WT/100
WRS-03-09	3/16	9/16-18	.97	11/16	500	6.3
WRS-04-09	1/4	9/16-18	.97	11/16	500	6.4
WRS-05-09	5/16	9/16-18	.97	11/16	500	6.6
WRS-06-09	3/8	9/16-18	.97	11/16	500	6.8



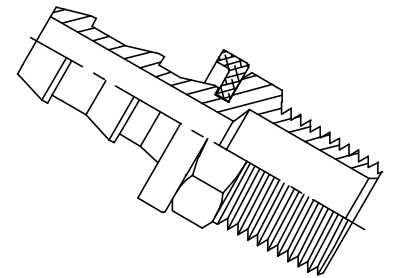
“PUSH-ON” HOSE BARB TO MALE PIPE SWIVEL

PART NUMBER	HOSE I.D.	THREAD NPTF	BARB LGTH	HEX OAL	HEX SIZE	STD PKG	WT/100
HMS-04-02	1/4	1/8-27	.87	2.07	9/16	500	6.3
HMS-04-04	1/4	1/4-18	.87	2.02	9/16	500	6.2
HMS-06-02	3/8	1/8-27	.97	2.17	9/16	400	7.3
HMS-06-04	3/8	1/4-18	.97	2.12	9/16	400	7.5
HMS-06-06	3/8	3/8-18	.97	2.12	11/16	200	9.0
HMS-08-06	1/2	3/8-18	.97	2.12	11/16	200	10.4
HMS-08-08	1/2	1/2-14	.97	2.33	7/8	150	14.8
HMS-12-12	3/4	3/4-14	1.45	2.80	1 1/16	150	24.7



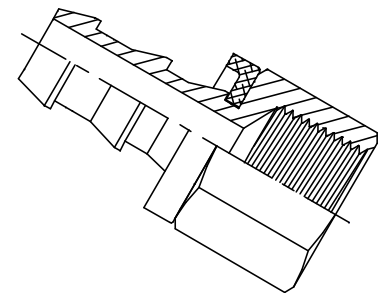
“PUSH-ON” HOSE BARB TO MALE PIPE

PART NUMBER	HOSE I.D.	THREAD NPTF	BARB LGTH	OAL	HEX SIZE	STD PKG	WT/ 100
HLM-04-02	1/4	1/8-27	.87	1.43	1/2	1,000	3.2
HLM-04-04	1/4	1/4-18	.87	1.66	9/16	1,000	4.7
HLM-04-06	1/4	3/8-18	.87	1.66	11/16	600	6.3
HLM-05-04	5/16	1/4-18	.87	1.66	9/16	900	5.0
HLM-06-02	3/8	1/8-27	.97	1.53	1/2	500	5.0
HLM-06-04	3/8	1/4-18	.97	1.76	9/16	700	5.4
HLM-06-06	3/8	3/8-18	.97	1.76	11/16	500	7.2
HLM-06-08	3/8	1/2-14	.97	1.97	7/8	400	12.2
HLM-08-04	1/2	1/4-18	.97	1.76	11/16	500	8.1
HLM-08-06	1/2	3/8-18	.97	1.76	11/16	500	7.8
HLM-08-08	1/2	1/2-14	.97	1.97	7/8	350	12.9
HLM-08-12	1/2	3/4-14	.97	1.97	1 1/16	200	16.7
*HLM-10-08	5/8	1/2-14	1.45	2.45	7/8	200	15.0
*HLM-10-12	5/8	3/4-14	1.45	2.45	1 1/16	150	18.7
*HLM-12-08	3/4	1/2-14	1.45	2.45	7/8	200	19.6
*HLM-12-12	3/4	3/4-14	1.45	2.45	1 1/16	150	19.8
*HLM-16-16	1	1-11 1/2	1.45	2.80	1 3/8	100	41.6



“PUSH-ON” HOSE BARB TO FEMALE PIPE

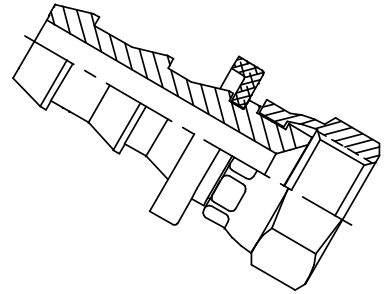
PART NUMBER	HOSE I.D.	THREAD NPTF	BARB LGTH	OAL	HEX SIZE	STD PKG	WT/ 100
HLF-04-02	1/4	1/8-27	.87	1.35	1/2	1,000	3.2
HLF-04-04	1/4	1/4-18	.87	1.51	5/8	1,000	5.0
HLF-05-04	5/16	1/4-18	.87	1.51	5/8	1,000	5.4
HLF-06-02	3/8	1/8-27	.97	1.46	9/16	500	4.7
HLF-06-04	3/8	1/4-18	.97	1.61	5/8	700	5.9
HLF-06-06	3/8	3/8-18	.97	1.63	3/4	500	7.0
HLF-08-06	1/2	3/8-18	.97	1.63	3/4	400	7.7
HLF-06-08	3/8	1/2-14	.97	1.77	15/16	300	11.6
HLF-08-08	1/2	1/2-14	.97	1.77	15/16	300	11.9
*HLF-12-12	3/4	3/4-14	1.45	2.25	1 3/16	150	20.4



*THESE FITTINGS HAVE 3 BARBS

“PUSH-ON” HOSE BARB TO FEMALE SWIVEL J.I.C.

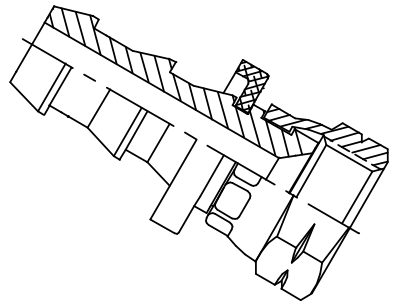
PART NUMBER	HOSE I.D.	TUBE SIZE	THREAD SIZE	BARB LGTH	HEX SIZE	STD PKG	WT/100
HJF-04-06	1/4	6	9/16-18	.87	11/16	600	5.3
HJF-05-06	5/16	6	9/16-18	.87	11/16	600	5.4
HJF-06-06	3/8	6	9/16-18	.97	11/16	600	6.2
*HJF-12-12	3/4	12	1 1/16-12	1.45	1 1/4	150	22.5
*HJF-16-16	1	16	1 5/16-12	1.45	1 1/2	100	39.2



37 ° SEAT

“PUSH-ON” HOSE BARB TO FEMALE SWIVEL S.A.E.

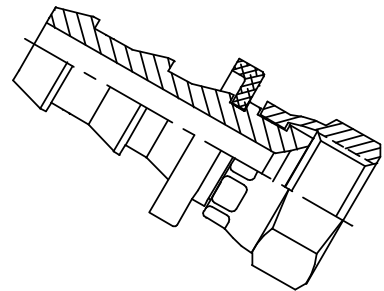
PART NUMBER	HOSE I.D.	TUBE SIZE	THREAD SIZE	BARB LGTH	HEX SIZE	STD PKG	WT/100
HSF-04-06	1/4	6	5/8-18	.87	3/4	500	6.3
HSF-05-06	5/16	6	5/8-18	.87	3/4	500	6.7
HSF-06-06	3/8	6	5/8-18	.97	3/4	500	7.3
HSF-08-06	1/2	6	5/8-18	.97	3/4	500	10.0
*HSF-12-12	3/4	12	1 1/16-14	1.45	1 1/4	150	22.3



NUTS ARE NOTCHED TO IDENTIFY S.A.E. THREAD 45 ° SEAT

“PUSH-ON” HOSE BARB TO FEMALE SWIVEL DUAL ANGLE

PART NUMBER	HOSE I.D.	TUBE SIZE	THREAD SIZE	BARB LGTH	HEX SIZE	STD PKG	WT/100
HDF-04-04	1/4	4	7/16-20	.87	9/16	1,000	4.0
HDF-04-05	1/4	5	1/2-20	.87	5/8	800	4.7
HDF-05-05	5/16	5	1/2-20	.87	5/8	800	5.2
HDF-06-05	3/8	5	1/2-20	.97	5/8	500	6.2
HDF-06-08	3/8	8	3/4-16	.97	7/8	400	9.1
HDF-08-08	1/2	8	3/4-16	.97	7/8	400	9.8
HDF-08-10	1/2	10	7/8-14	.97	1	200	11.6
*HDF-10-08	5/8	8	3/4-16	1.45	7/8	200	17.2
*HDF-10-10	5/8	10	7/8-14	1.45	1	200	14.3
*HDF-12-10	3/4	10	7/8-14	1.45	1	150	19.6

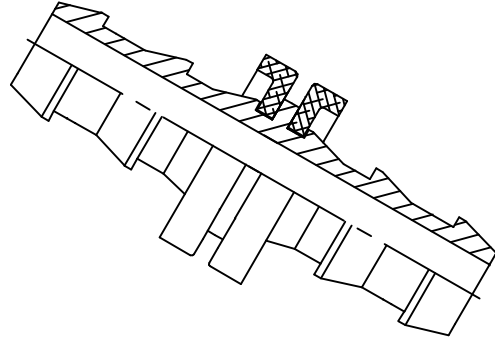


37 ° / 45 ° DUAL ANGLE SEAT

* THESE FITTINGS HAVE 3 BARBS

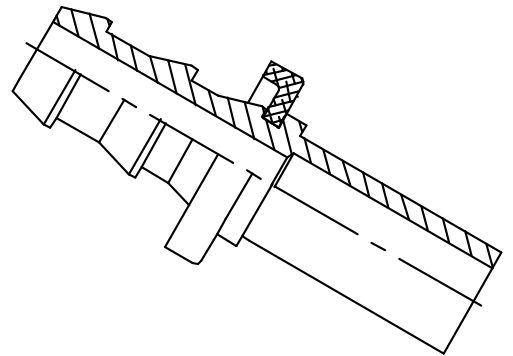
“PUSH-ON” HOSE BARB MENDER

PART NUMBER	HOSE I.D.	BARB LGTH	OAL	STD PKG	WT/100
MHL-04-04	1/4	.87	1.80	1,000	2.9
MHL-05-05	5/16	.87	1.80	800	4.0
MHL-06-06	3/8	.97	2.00	600	5.4
MHL-08-08	1/2	.97	2.00	400	7.2
MHL-10-10	5/8	1.45	3.03	200	13.4
MHL-12-12	3/4	1.45	3.03	150	15.7



“PUSH-ON” HOSE BARB TO STRAIGHT TUBE

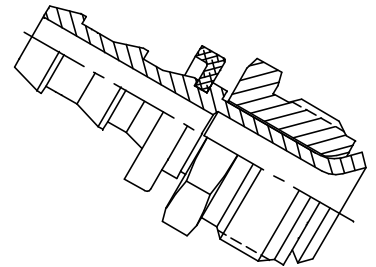
PART NUMBER	HOSE I.D.	TUBE SIZE	BARB LGTH	OAL	STD PKG	WT/100
HCT-04-04	1/4	1/4	.87	1.76	500	2.2
HCT-04-05	1/4	5/16	.87	1.76	500	2.6
HCT-06-06	3/8	3/8	.97	1.81	500	4.0
HCT-08-08	1/2	1/2	.97	2.03	250	5.5



“PUSH-ON” HOSE BARB TO

SAE INVERTED FLARE MALE SWIVEL

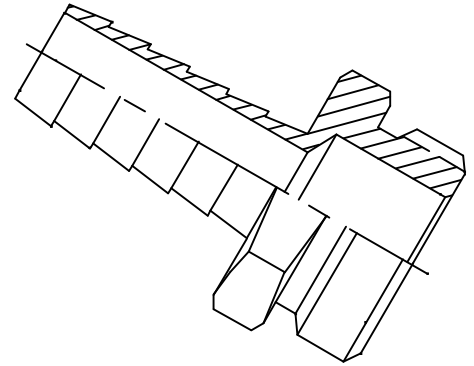
PART NUMBER	HOSE I.D.	TUBE O.D.	THREAD UN	BARB LGTH	OAL	HEX SIZE	STD PKG	WT/100
IMS-04-04	1/4	1/4	7/16-24	.87	1.56	7/16	1,000	3.3
IMS-04-05	1/4	5/16	1/2-20	.87	1.62	1/2	1,000	4.3
IMS-05-04	5/16	1/4	7/16-24	.87	1.56	7/16	1,000	4.1
IMS-05-05	5/16	5/16	1/2-20	.87	1.62	1/2	1,000	4.5
IMS-05-06	5/16	3/8	5/8-18	.87	1.63	5/8	650	6.4
IMS-06-05	3/8	5/16	1/2-20	.97	1.72	1/2	600	5.6
IMS-06-06	3/8	3/8	5/8-18	.97	1.76	5/8	650	6.9
IMS-08-08	1/2	1/2	3/4-18	.97	1.84	3/4	400	10.1



GARDEN HOSE, MALE

PART NUMBER	HOSE I.D.	THREAD NH	BARB LGTH	OAL	HEX SIZE	STD PKG	WT/100
GHM-06	3/8	3/4-11 1/2	1.19	1.88	1 1/16	250	13.0
GHM-08	1/2	3/4-11 1/2	1.19	1.88	1 1/16	250	13.9
GHM-10	5/8	3/4-11 1/2	1.19	1.88	1 1/16	250	14.6
GHM-12	3/4	3/4-11 1/2	1.19	1.88	1 1/16	250	15.9
GHM-16	1	1-11 1/2	1.47	2.34	1 3/8	100	26.5

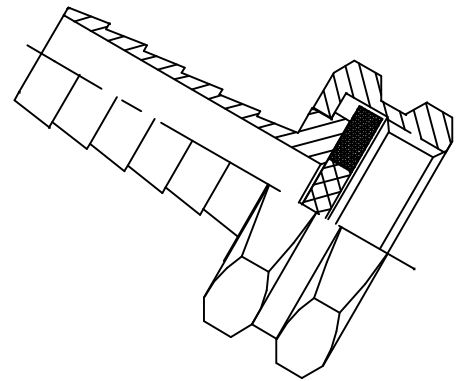
(NPSH)



GARDEN HOSE, FEMALE SWIVEL

PART NUMBER	HOSE I.D.	THREAD NH	BARB LGTH	OAL	HEX SIZE	STD PKG	WT/100
GHF-06	3/8	3/4-11 1/2	1.19	1.82	1 3/16	250	12.3
GHF-08	1/2	3/4-11 1/2	1.19	1.82	1 3/16	250	12.7
GHF-10	5/8	3/4-11 1/2	1.19	1.82	1 3/16	250	13.2
GHF-12	3/4	3/4-11 1/2	1.19	1.82	1 3/16	250	14.5
GHF-12-16	3/4	1-11 1/2	1.19	2.02	1 3/16	100	25.6
GHF-16	1	1-11 1/2	1.47	2.28	1 1/2	100	29.3

(NPSH)

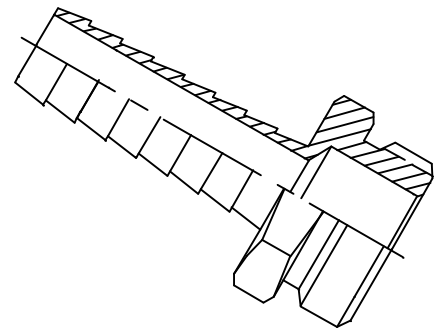


CAN BE ORDERED AS SETS OF MALE AND FEMALE
 BY CHANGING THE PART NUMBER PREFIX TO GHS OR GHSL

***EXTRA LONG BARB
 GARDEN HOSE, MALE***

PART NUMBER	HOSE I.D.	THREAD NH	BARB LGTH	OAL	HEX SIZE	STD PKG	WT/100
GHML-08	1/2	3/4-11 1/2	2.03	2.72	1 1/16	75	15.7
GHML-10	5/8	3/4-11 1/2	2.03	2.72	1 1/16	75	17.2
GHML-12	3/4	3/4-11 1/2	2.03	2.72	1 1/16	75	19.4
GHML-16	1	1-11 1/2	2.03	2.91	1 3/8	75	30.2

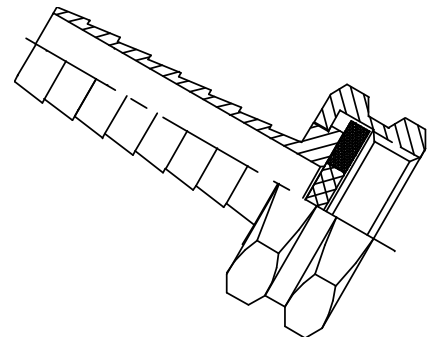
(NPSH)



GARDEN HOSE, FEMALE SWIVEL

PART NUMBER	HOSE I.D.	THREAD NH	BARB LGTH	OAL	HEX SIZE	STD PKG	WT/100
GHFL-08	1/2	3/4-11 1/2	2.03	2.65	1 3/16	75	14.5
GHFL-10	5/8	3/4-11 1/2	2.03	2.65	1 3/16	75	15.8
GHFL-12	3/4	3/4-11 1/2	2.03	2.65	1 3/16	75	18.2
GHFL-16	1	1-11 1/2	2.03	2.84	1 1/2	75	33.7

(NPSH)

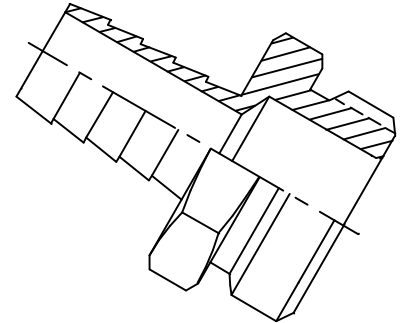


SHORT BARB GARDEN HOSE

GARDEN HOSE, MALE

PART NUMBER	HOSE I.D.	THREAD NH	BARB LGTH	OAL	HEX SIZE	STD PKG	WT/100
-------------	-----------	-----------	-----------	-----	----------	---------	--------

GSM-06	3/8	3/4-11 1/2	.875	1.75	1 1/16	250	12.9
GSM-08	1/2	3/4-11 1/2	.875	1.75	1 1/16	250	13.2
GSM-10	5/8	3/4-11 1/2	.875	1.75	1 1/16	250	13.7
GSM-12	3/4	3/4-11 1/2	.875	1.75	1 1/16	250	14.3



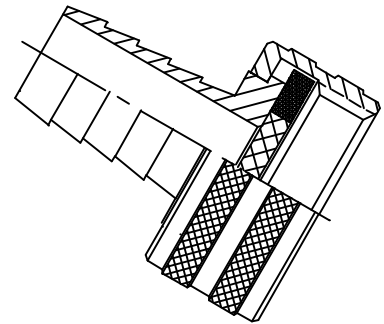
CAN BE ORDERED AS SETS OF MALE AND FEMALE BY CHANGING THE PART NUMBER PREFIX TO GSS

GARDEN HOSE, FEMALE SWIVEL

PART NUMBER	HOSE I.D.	THREAD NH	BARB LGTH	OAL	STD PKG	WT/100
-------------	-----------	-----------	-----------	-----	---------	--------

*GSF-04	1/4	3/4-11 1/2	.780	1.38	450	8.6
GSF-06	3/8	3/4-11 1/2	.875	1.48	300	9.0
GSF-08	1/2	3/4-11 1/2	.875	1.48	300	9.5
GSF-10	5/8	3/4-11 1/2	.875	1.48	300	9.7
GSF-12	3/4	3/4-11 1/2	.875	1.48	300	10.4

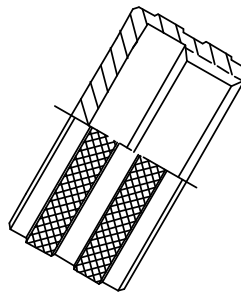
*THIS FITTING HAS 3 BARBS



GARDEN HOSE CAP

PART NUMBER	THREAD NH	STD PKG	WT/100
-------------	-----------	---------	--------

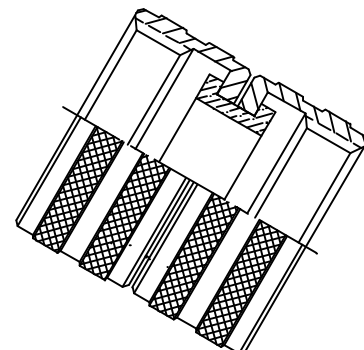
GSNC-12	3/4-11 1/2	500	6.2
---------	------------	-----	-----



GARDEN HOSE, FEMALE TO FEMALE SWIVEL

PART NUMBER	THREAD NH	STD PKG	WT/100
-------------	-----------	---------	--------

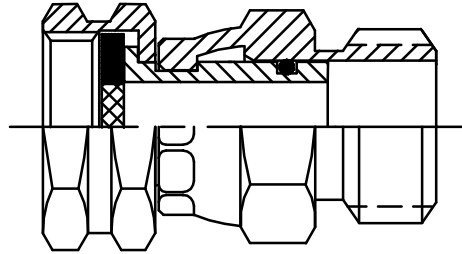
GSU-12	3/4-11 1/2	250	11.5
--------	------------	-----	------



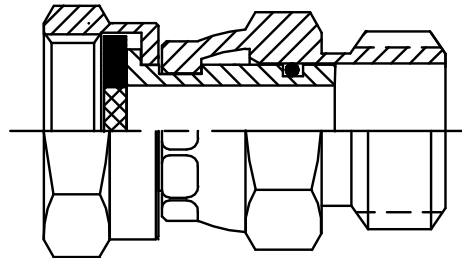
GARDEN HOSE SWIVELS

PART NUMBER	FEMALE THREAD	MALE THREAD	OVERALL LENGTH
----------------	------------------	----------------	-------------------

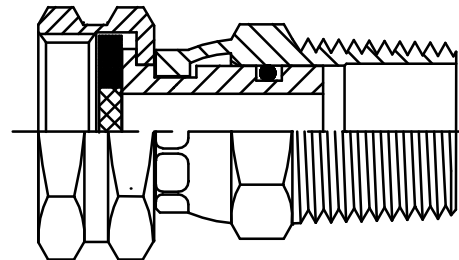
GFMG-12 3/4-11 1/2 NH 3/4-11 1/2 NH 1.61
STD PKG ---- 100 WT/100 ----- 21.6



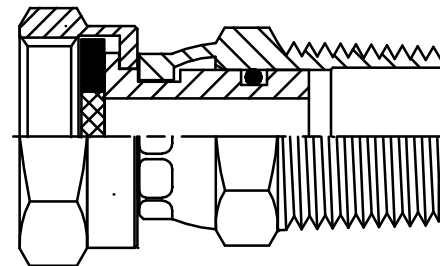
NFMG-12 3/4-14 NPSM 3/4-11 1/2 NH 1.61
STD PKG ---- 100 WT/100 ----- 21.4



GFMP-12 3/4-11 1/2 NH 3/4-14 NPTF 1.92
STD PKG ---- 100 WT/100 ----- 24.7



NFMP-12 3/4-14 NPSM 3/4-14 NPTF 1.92
STD PKG ---- 100 WT/100 ----- 24.5



GARDEN HOSE ADAPTERS

GARDEN HOSE MALE to GARDEN HOSE MALE

GHMM-12	(2) 3/4-11 1/2
----------------	-----------------------

GARDEN HOSE MALE - MALE NPT with FEMALE NPT

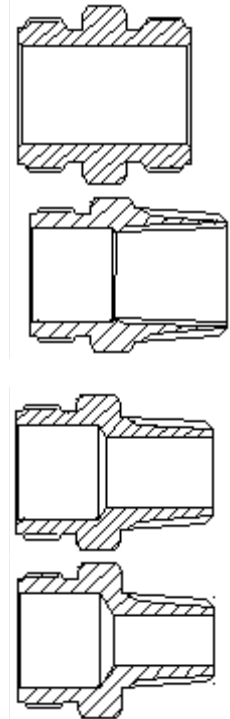
GHMP-12-08	3/4-11 1/2	3/4-14 NPT external 1/2-14 NPT internal
-------------------	-------------------	--

GARDEN HOSE MALE to MALE NPT

GHMP-08	3/4-11 1/2	1/2-14 NPT
----------------	-------------------	-------------------

GARDEN HOSE MALE to MALE NPT

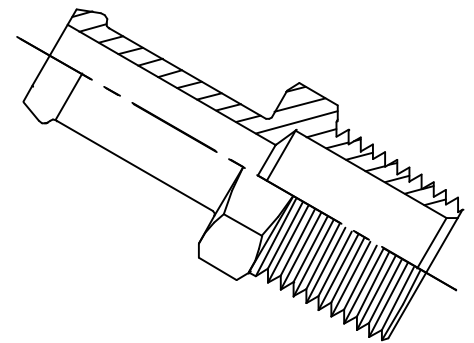
GHMP-06	3/4-11 1/2	3/8-18 NPT
----------------	-------------------	-------------------



BEADED HOSE BARB TO MALE PIPE

PART NUMBER	HOSE I.D.	THREAD NPTF	BARB LGTH	OAL	HEX SIZE	STD PKG	WT/ 100
----------------	--------------	----------------	--------------	-----	-------------	------------	------------

BBM-04-02	1/4	1/8-27	.625	1.18	1/2	500	2.4
BBM-04-04	1/4	1/4-18	.625	1.41	9/16	500	4.2
BBM-05-02	5/16	1/8-27	.625	1.18	1/2	500	2.6
BBM-05-04	5/16	1/4-18	.625	1.41	9/16	500	4.4
BBM-06-02	3/8	1/8-27	.875	1.43	1/2	500	4.0
BBM-06-04	3/8	1/4-18	.875	1.67	9/16	500	4.6
BBM-06-06	3/8	3/8-18	.875	1.67	11/16	400	6.4
BBM-08-06	1/2	3/8-18	.875	1.67	11/16	350	6.4
BBM-08-08	1/2	1/2-14	.875	1.88	7/8	250	11.4
BBM-10-08	5/8	1/2-14	.875	1.88	7/8	200	12.1
BBM-12-08	3/4	1/2-14	.875	1.88	7/8	200	13.7
BBM-12-12	3/4	3/4-14	.875	1.88	1 1/16	150	15.4





GROVE INDUSTRIES INC.

MULTI-SPINDLE SCREW MACHINE PRODUCTS

855 GOLF LANE
BENSENVILLE IL 60106
(630) 350-1616

VISIT US AT
www.grovefittings.com

Call us on all your special requirements. We machine

CA 360 Brass
12L14 Steel
2011 T3 Aluminum

Our machining capacity is 1-5/8" Round & 1-1/2 Hex

**WE SPECIALIZE IN COMPONENT PARTS
FOR THE FLUID POWER INDUSTRY**